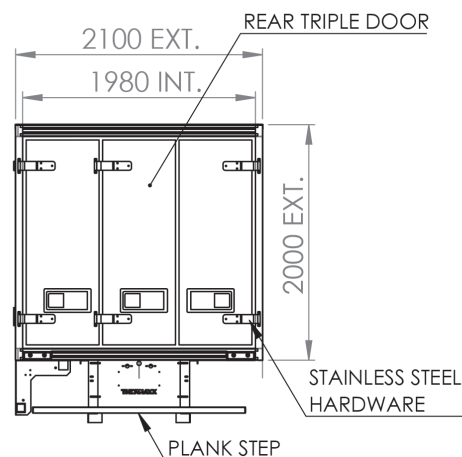
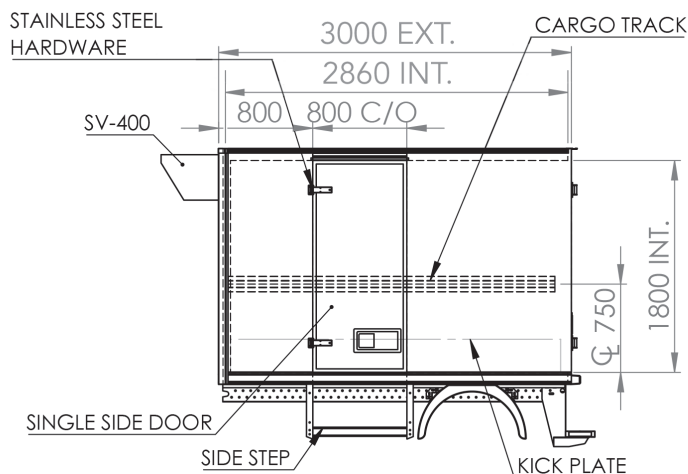


2023 ISUZU REFRIGERATED CITY BOXX READY TO DRIVE AWAY \$97,617*

Incl GST plus on road costs

FULLY INSULATED COMES WITH A
THERMO KING V-400





THE ADVANTAGE IS TO YOUR BOTTOM LINE

Temperature Capacity
-18°C*

Cubic Capacity
4.2m³

BODY DIMENSION

External length	3000mm
External width	2100mm
External height	2000mm
Internal length	2860mm
Internal width	1980mm
Internal height	1800mm
Pallet loading	2 Pallet capacity

Fitted body weight *840kg

PANELS THICKNESS

Roof/floor	100mm
Front wall	80mm
Side walls/rear/side doors	60mm

Side door	Passenger side single door 1800 x 800mm
Rear door	Triple - (centre opens first)
Front wall frame	Universal to suit off engine drive units
Side step	Fixed rung step
Rear step	Fixed plank step
Cargo track	1 recessed row @ 750mm 1 shoring bar
Floor	One piece aluminium ricegrain
Internal light	1 LED sensor light
Refrigeration	*Thermo King SV-400



Thermal efficiency 'K' VALUE .47 W/m²K tested to Australian Standard AS4982

Standard Inclusions

- High density polyurethane insulation
- European design
- European construction
- Low tare weight
- Higher legal payload
- Galvanised sub frame
- Recessed stainless door hardware
- Stainless door frames
- Anodised corner mouldings
- Long life EPDM rubber seals
- Internal LED sensor light
- Rubber bump stops
- Rear/side grab handles
- Recessed load restraint with bar supplied
- Moulded plastic mud guards
- Alloy kick panel
- Options available to suit customer requirements



*STE uses its best endeavours to ensure the price is accurate for the Isuzu, Thermaxx body and Thermo King refrigeration unit at the time of publishing. Therefore, the price may increase over time. Isuzu warranties are covered under Isuzu's warranty conditions. Thermaxx and Thermo King warranties are covered under STE/TRS/Thermaxx warranty conditions. The on-road costs will be applicable and charged via Isuzu's dealer on-road price calculations. STE will not be liable for any damage or loss incurred from relying on the information contained.